

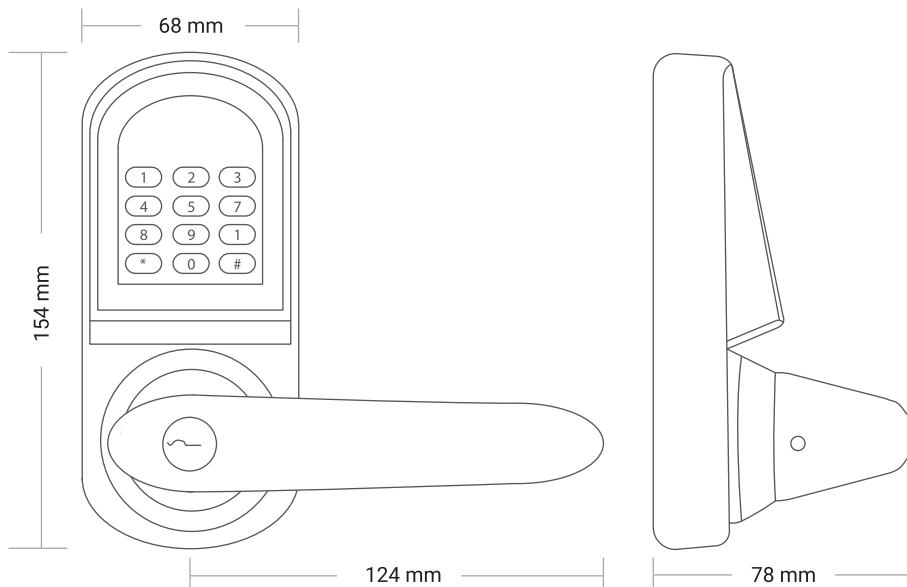
appLOK™ **S200BL**

# Smart & convenient security for your home or Air BnB property

**SMART APP OPERATED LOCKS**



[www.loktouch.com](http://www.loktouch.com)



## Easily manage your property access with smart app operated locksets

appLOK™ is a series of smart APP operated locksets covering various installation applications for residential and rental properties. All locks and key boxes connect to a simple yet smart mobile APP that utilizes Bluetooth technology to set up and manage your property access requirements.

Property owners and managers can set various opening times either directly at the door via Bluetooth or remotely using the App or Wi-Fi functions. Remote code access is also available without connecting to the lockset using the unique built-in code algorithm system. All locks in the series have a range of opening options, including RFID tags, Fingerprint, Code pad, Phone, and mechanical key.

### TECHNICAL PARAMETERS

Power Source	4x AA Batteries
Working Environment	-40 to +80C
Door Width	35mm – 50mm
Backset	60/70mm Adjustable
Emergency power source	9V battery
Low battery indicator	Yes
Override key	Yes
IP Rating	IP55
Warranty	2 Year
Number of Card/Tags	N/A
Number of Fingerprints	N/A
Number of Customized Codes	150
Number of E-codes	Unrestricted
Number of E-Keys	Unrestricted
Construction Material	Stainless Steel
Gateway function	YES
Remote Opening	YES
One time opening	Yes
Anti-spy opening	YES
Time-restricted opening	YES
Certification	RoHS/CE



Smart App Lock S918LM



Smart App Lock S1019



Key Box / S1030



Wifi Hub / S651



#### Australian Distributor:

JK Locksmiths  
480 Christine Avenue  
Robina, QLD 4226

Email: [jeff@jklocksmiths.com.au](mailto:jeff@jklocksmiths.com.au)  
Web: [www.jklocksmiths.com.au](http://www.jklocksmiths.com.au)  
Ph: (+61) 0434823323

Visit our website to view the full range of appLOKs